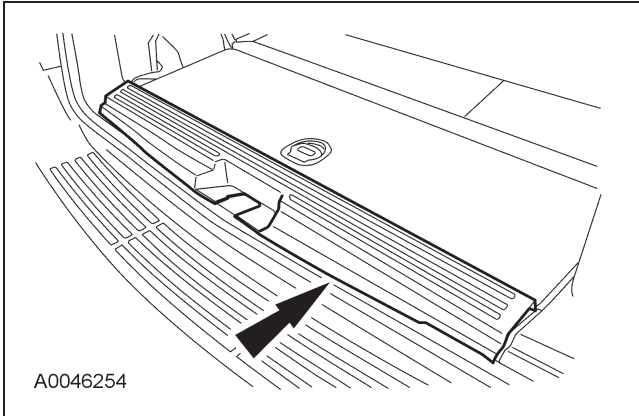


REMOVAL AND INSTALLATION

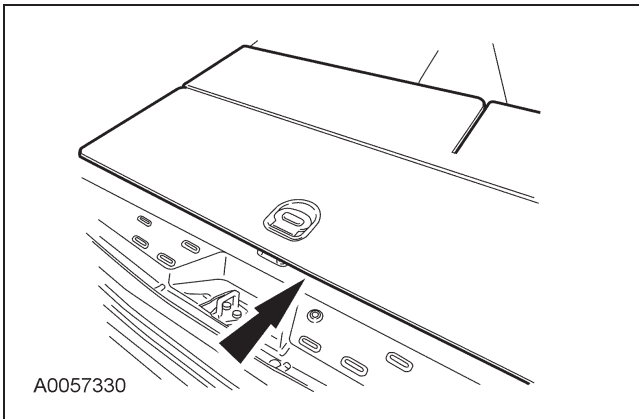
Rear Quarter Trim Panel

Removal and Installation

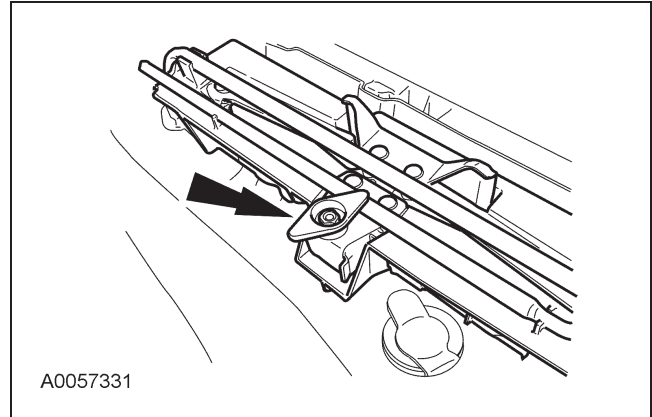
1. Remove the C-pillar trim panel. For additional information, refer to C-Pillar Trim Panel in this section.
2. Remove the D-pillar trim panel. For additional information, refer to D-Pillar Trim Panel in this section.
3. Remove the liftgate scuff plate by pulling upward.



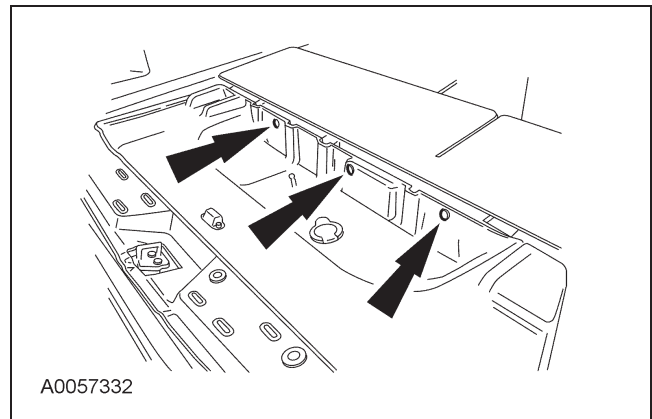
4. Remove the rear floor loadspace trim panel.



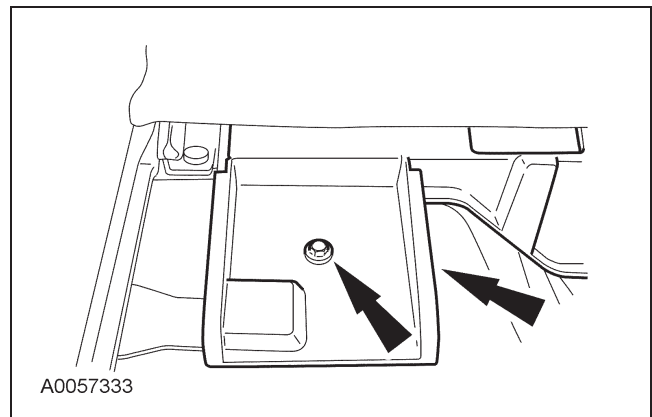
5. Remove the floor jack assembly.



6. Remove the pin-type retainers and pull back the carpeting.

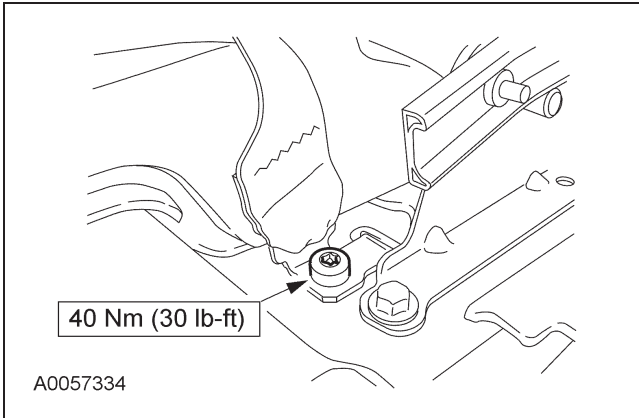


7. Remove the two bolts and the loadspace trim panel by pulling upward.

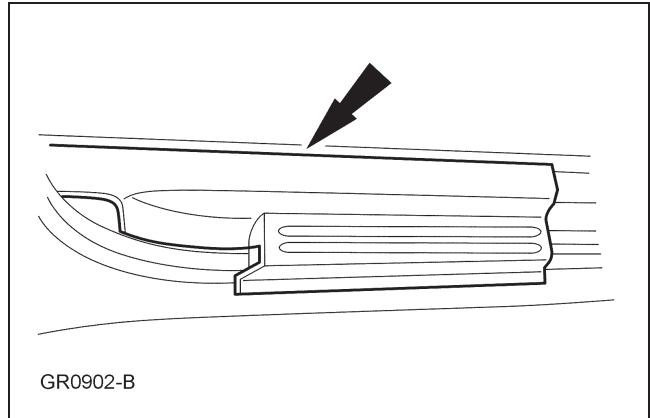


REMOVAL AND INSTALLATION (Continued)

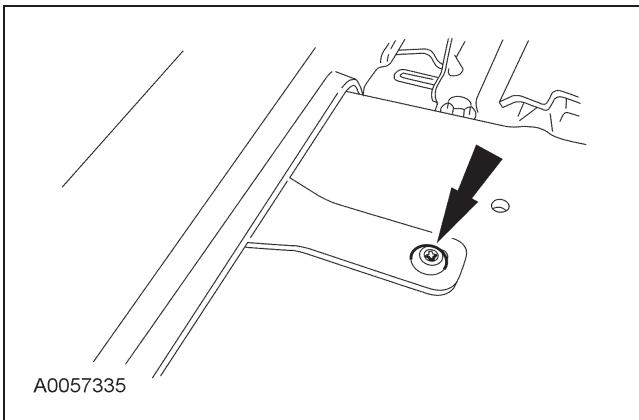
8. Remove the third row seat safety belt anchor bolt.



11. Remove the rear door scuff plate by pulling upward.



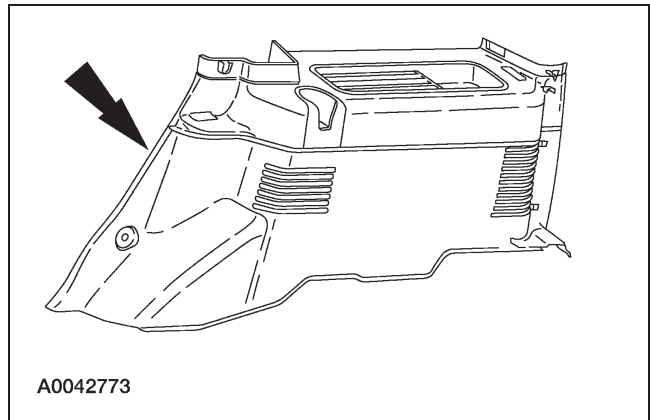
9. Remove the rear quarter trim panel pin-type retainer.



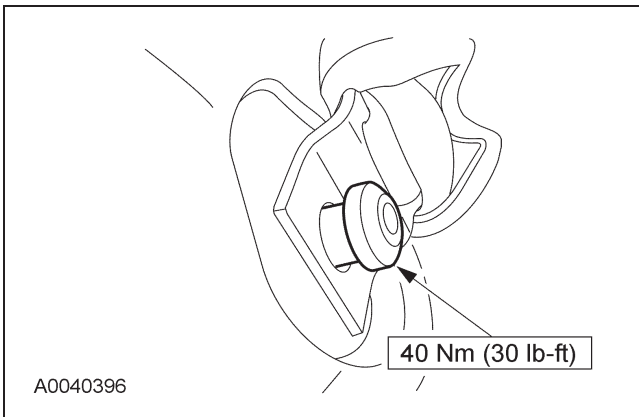
12. Fold the third row seat down.

13. Remove the rear quarter trim panel by pulling outward.

- If equipped, disconnect the power point and power third row seat switch electrical connector at the rear.



10. Remove the second row safety belt anchor.



14. To install, reverse the removal procedure.